

NORDIC N45 HID

The extremely small and compact Nordic N45 HID with integrated ballast is designed to withstand the rugged requirements of the forestry, mining, agricultural, drilling and earth moving industries.

Highly resistant to vibration, shock, water and dust, the N45 HID lamp couples Nordic's proven HID output with an all new ultra compact design.



Heavy duty 35W D1S Xenon discharge bulb.

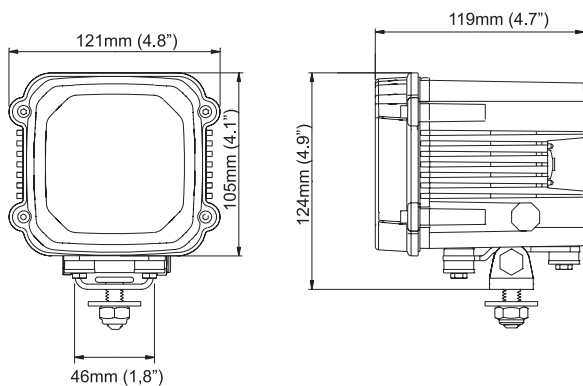


Gore™ membrane vent installed.



Deutsch DT series 2 pin connector on fly lead.

LIGHTS FOR
HEAVY DUTY

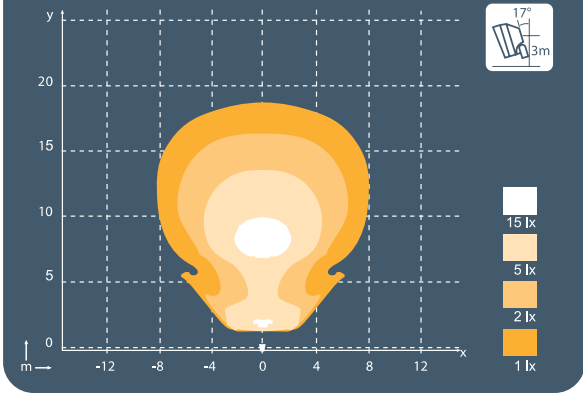


N45 HID Specifications



Bulb :	35W D1S
Voltage :	12V 24V
Input Current :	3.0 A 1.5 A
Ballast :	Integrated
Connector :	Deutsch DT Series 2 Pin
Mount :	Single Bolt M10
Shock :	50 G
Vibration :	15.3 G rms 24 - 2000 Hz
Lens :	Hardened Glass
Body :	Aluminium
Weight :	1.1 kg
IP Rating :	IP68
Salt Mist :	ISO 9227
EMC :	ISO 13766
Operating Temperature :	-40°C to + 85°C
Colour Temperature :	4250 K

Nordic N45 HID - Wide Flood



Nordic N45 HID - Flood

